



19/12/2016

ALTUS RS 50 IO TECHNICAL DATA MOTOR

SDEV-CLU-IMPS 61R0

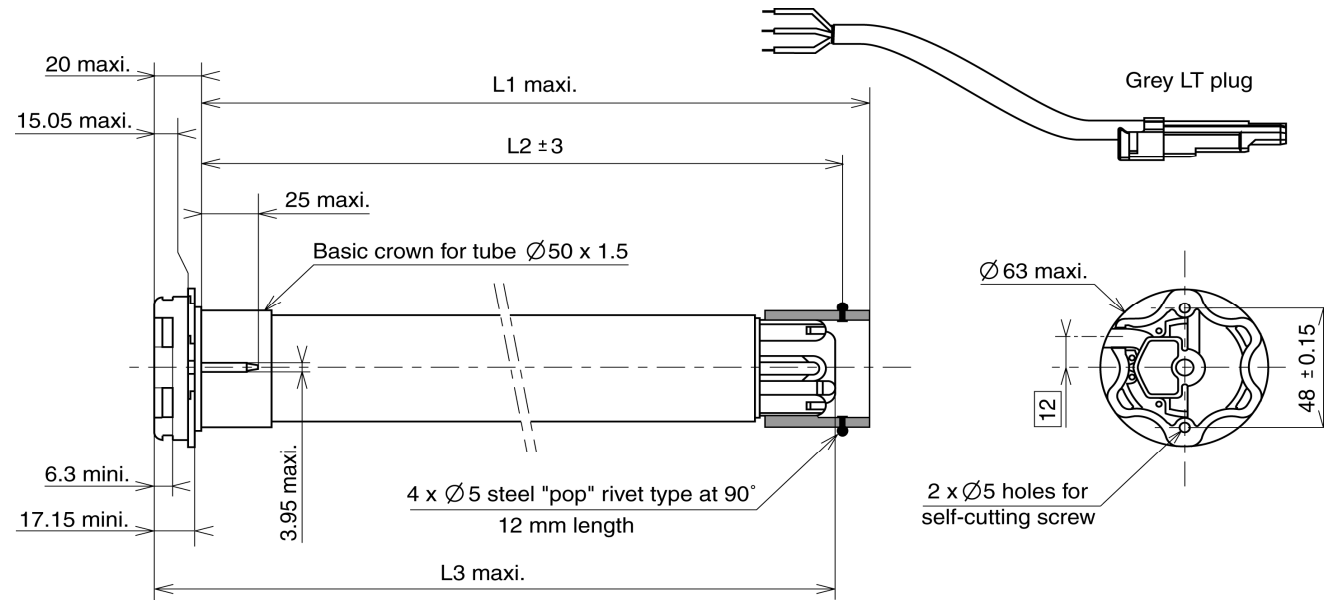
ALTUS RS 50 IO Range 1

Type of head	Star Head
Nominal voltage	230 V - 50 Hz
Power supply tolerances	205-255 V AC (This motor doesn't work under 185V)
Thermal time	4 minutes
Number of wires of the cable	3
Wire section	0,75 mm ²
Type of limit switch unit	Electronic
Capacity of the LSU	241 turns
Repeatability	< ± 5°
System of protection	IP 44
Interface drawings	Screw implantation for LT50 mounting 206810-Wheel interface LT50 206821-Crown interface LT50 206822-Interface drawing star head LT50 and LT50PA/PS 206823
Radio frequency	868-870 Mhz (tri band)
Coding	Code with a minimum of 2 ⁴⁸ possibilities
Capacity of memory	Maxi 9 for 1W transmitter - infinite for 2W transmitters
Antenna	Integrated
Range	20 m with 2 reinforced concrete walls to be passed through Possibility to enhance radio range thanks to a Repeater
R&TTE (Radio Equipement and Telecommunications Terminal Equipement Directive)	http://www.somfy.com/ce/index.cfm
Safety Security	http://www.somfy.com/ce/index.cfm
Electromagnetic compatibility	http://www.somfy.com/ce/index.cfm
Radio frequency	http://www.somfy.com/ce/index.cfm
Principle	The principle of the Altus RS io is to motorize standard awning with the io-Homecontrol protocol
Basic crown for tube Ø	50 x 1,5 mm
Temperature working range	80% of life time between -10°C to +40°C 20% of life time between -20°C to +70°C

Designation	Nm		Reference	mm			Rated power	A		Weight	tube	°C	Brake type	Noise
	Nominal torque	Nominal speed		L1 max.	L2 (±3 mm)	L3 max.		Rated current	kg					
ALTUS RS 50 io 6/12	6	12	5130282	605	590	613	90	0,4	1,94	540	140	Sliding	46	
ALTUS RS 50 io 10/12	10	12	5130284	605	590	613	90	0,4	1,94	540	140	Sliding	45	
ALTUS RS 50 io 20/12	20	12	5130291	655	640	663	140	0,65	2,23	590	150	Sliding	48	
ALTUS RS 50 io 30/12	30	12	5130293	655	640	663	160	0,75	2,38	590	150	Sliding	55	
ALTUS RS 50 io 40/12	40	12	5130295	675	660	683	240	1,1	2,75	610	150	Sliding	55	
ALTUS RS 50 io 50/12	50	12	5130318	675	660	683	240	1,1	2,585	610	150	Sliding	55	

* Non resetable thermal protector

Neutral	Blue
Live	Brown
Earth	Green / Yellow



Name Date	R&D	QUALITY	EDITOR
			Thomas GALIN